



Cybertruck

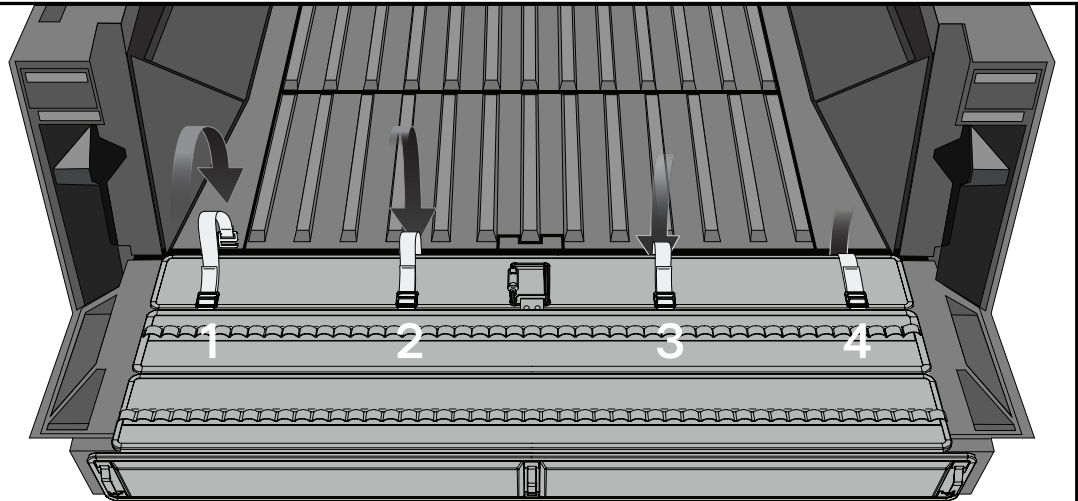
Tailgate Shield



WARNING!
FINGER PINCH-POINT RISK.
USE CAUTION AROUND TAILGATE

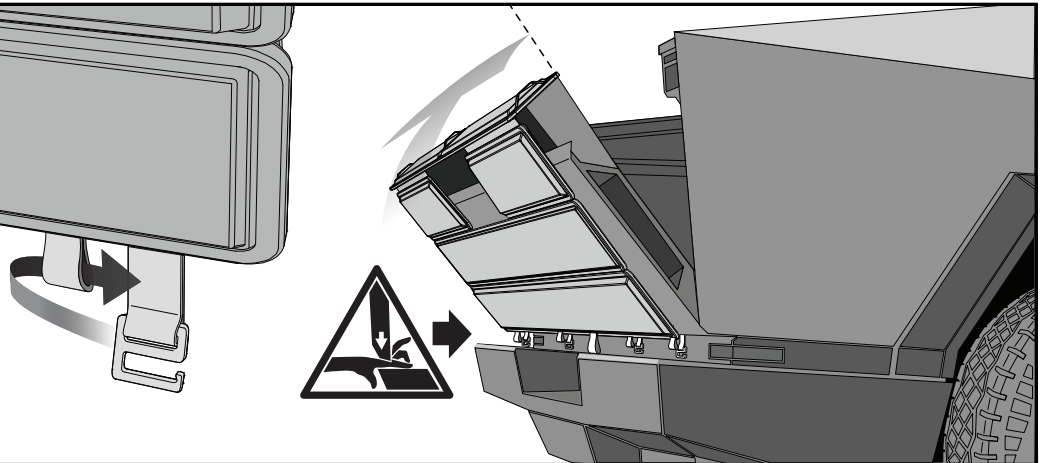
Installing the Pad:

Lay the shield over the open tailgate and feed the (4) G-hook straps into the tailgate gap.



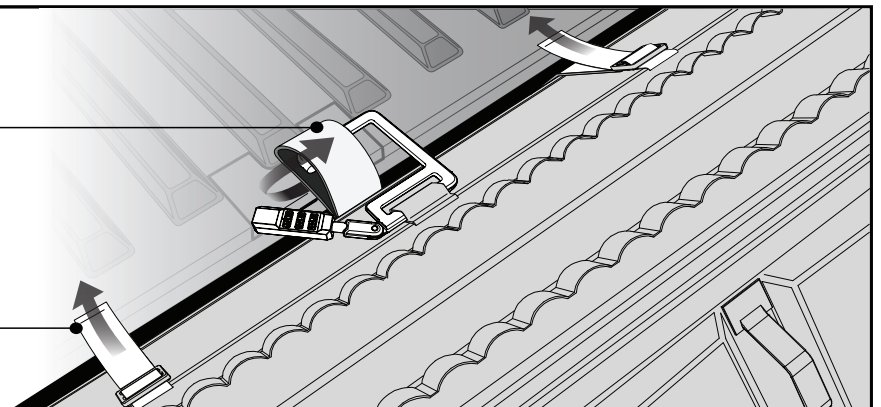
Have a friend hold the tailgate half-way open while you:

1. Hook the (4) G-hooks into their loops.
2. Feed the large center strap up through the gap.



Open the carabiner and hook the large center strap onto it.

With the tailgate CLOSED, tighten the (4) G-hook straps on the inside.



Setting the Combo on the Padlock:

1. Open the carabiner lock and set the combo to 000.
2. Use a pen to push-in the recessed pin inside the lock hole.
3. With the pin pushed-in, select your combo one digit at a time.
4. Release the pin and test the combo.

