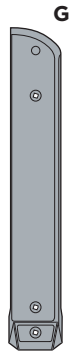
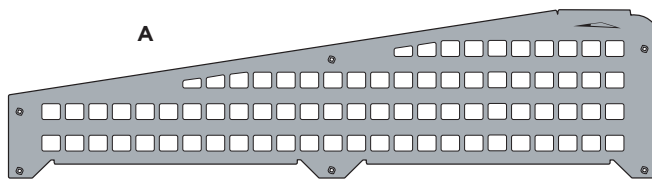




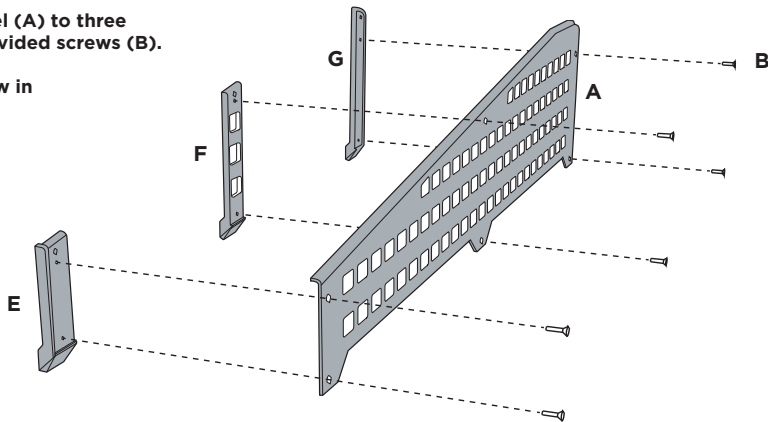
## What's Included



**Step 1: Attach MOLLE panel (A) to three supports (E, F, G) with provided screws (B).**

**Note:** There is 1 spare screw in screw pack.

**Check and tighten all screws before using.**



**Step 2: Insert the 3 fixing bases (D) to L-Track. Ensure the screws are aligned with a tooth, NOT a circle on the L-Track strip. Put (G) in the furthest forward position. Tighten screws to fixing bases.**

