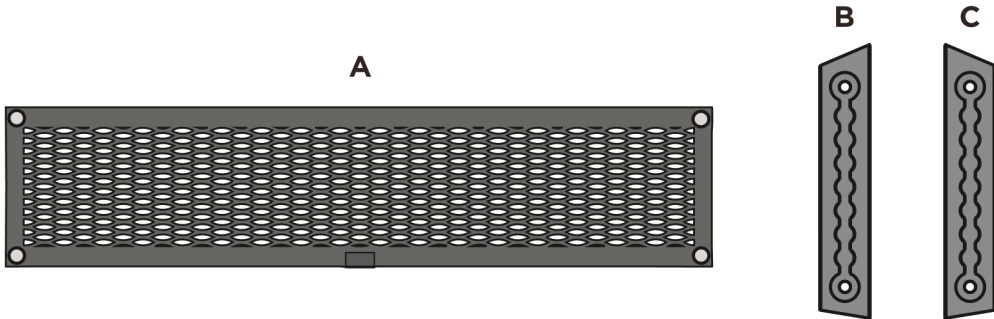




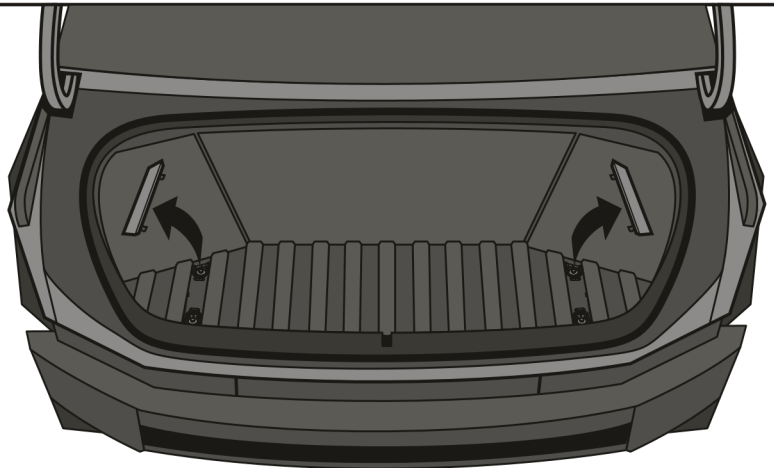
Cybertruck

Front Trunk L-Track + Cargo Net

What's Included



Use a flathead screwdriver to unclip the plastic bolt covers (2x)



Use a 10mm socket to remove the exposed bolts (4x). Install the L-track brackets (B & C) using the same bolts.

