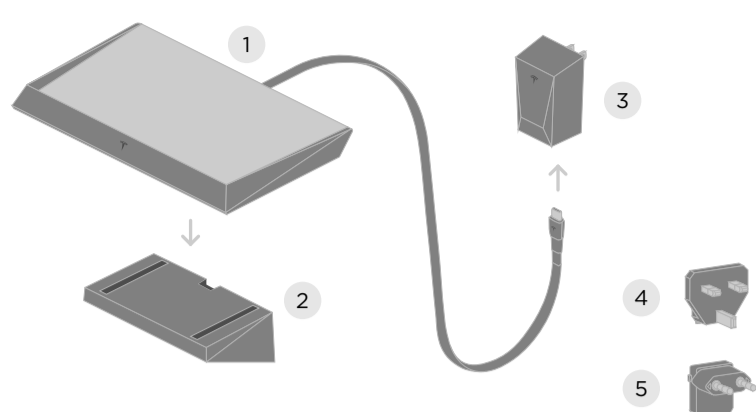




Wireless Charging Platform

Setup and User Manual (Europe and United Kingdom)

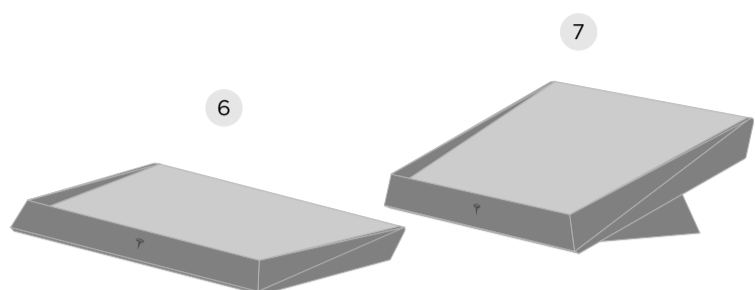


What's in the box?

1. Charger
2. Magnetic Stand
3. 65W USB-C Power Supply
4. Type G (UK Power Adapter)
5. Type C (EU Power Adapter)

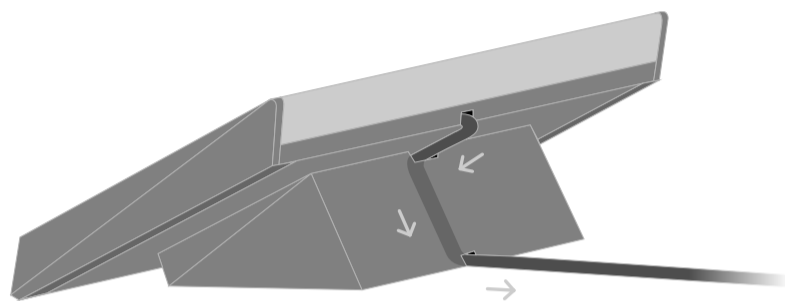
Configurations

6. Flat
7. Tilted (with Magnetic Stand)



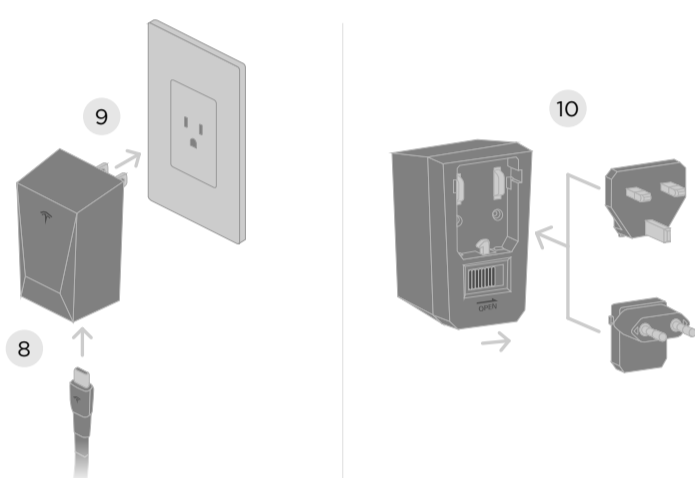
Cable Management With Stand

Route cable through the stand and out the bottom.



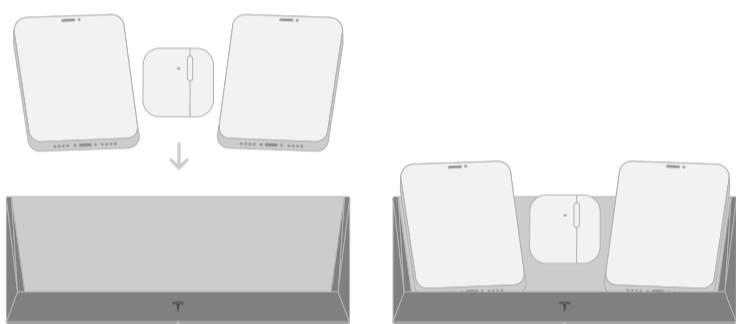
Power On

8. Plug USB-C cable into 65W USB-C power supply
9. Plug power supply into power outlet.
10. Select and install the Type G or Type C Adapter by pushing the thumb lock to the right, inserting the adapter, and releasing the thumb lock after insertion.



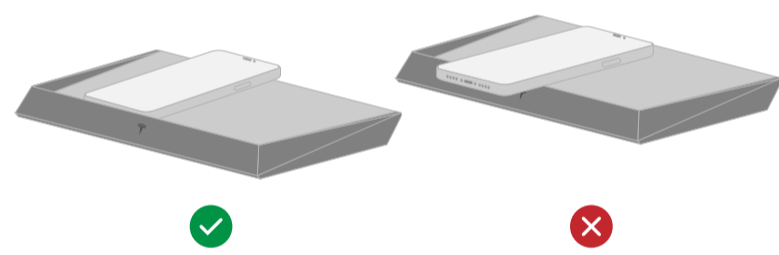
Charge Devices

Place devices flat on Alcantara surface.



Device Not Charging

Devices placed over the aluminum frame will not charge.



| | |
|------------------------------|---|
| Start of Charge | 5 sec illumination then dim |
| Charging | Constant dim |
| Device Removal | |
| Device 1 | LED off |
| Multiple Devices | LED off and then reilluminate |
| Power Supply Error | Rapid blink |
| System Error | Rapid 3 blink burst |
| Metal Object Detected | Slow pulsating blink <small>*Learn more by reviewing Foreign Objects description in last section</small> |

LED Status Indicator

LED on bottom side of front edge indicates status.

FreePower Wireless Charging

FreePower wireless charging is the technology inside that powers the Tesla Wireless Charging Platform.

To learn more about FreePower, visit www.freepower.io



| | |
|--------------------------------|--|
| USB-C PD | Any 15V 3A USB-C PD power supply |
| USB-C Cable Length (in) | No Stand: 60 With Stand: 56 |
| Product Weight (g) | No Stand: 747 With stand: 1,026 |
| Product Dimensions (mm) | No stand: 220L x 130W x 20H With stand: 220L x 117W x 70H |
| Charge Performance | Wireless charging performance may vary. For best results, keep charger out of direct sunlight and warm environments, use a thin phone case or no phone case. |
| Safety | This product is intended for home and office use only. Prevent cable from being pinched or damaged. Unplug the product if not used for an extended period of time. Use in dry locations. Do not place metal objects, or non Qi-enabled wireless power receiving devices on the charging surface. Do not disassemble the charger. |
| Foreign Objects | If a metal object is detected between the wireless charger and a device charging, the object may start to heat up, in order to prevent this, the charger will stop transmitting power and the LED status indicator will show a slow pulsating blink. Remove device and ensure there are no metal objects attached to the device or on the surface on the charger before resuming normal operation. |
| Compatibility | Qi Certified devices, including smartphones and accessories from Apple, Samsung, Google, and other manufacturers. |
| Tesla Logo | Product of Tesla, Inc. |
| FreePower Logo | Product of Aira, Inc. |
| Regulatory Info | FCC ID: 2AWGG-WH1257500 and IC: 29612-WH1257500 (pending) |
| Part Number | 1799799 |
| Support Contact | OnlineOrders@Tesla.com |
| IP Rating | IPX2 |
| Product Certifications | |

FCC Notice:
This device complies with Part 15, Subpart C, of the FCC rules. Operation is subject to the following two conditions: (1) this device may not cause harmful interference, and (2) this device must accept any interference received, including interference that may cause undesired operation. Changes or modifications not expressly approved by Tesla could void the user's authority to operate the equipment. Note: This equipment has been tested and found to comply with the limits for a Class B digital device, pursuant to part 15 of the FCC Rules. These limits are designed to provide reasonable protection against harmful interference in a residential installation. This equipment generates uses and can radiate radio frequency energy and, if not installed and used in accordance with the instructions, may cause harmful interference to radio communications. However, there is no guarantee that interference will not occur in a particular installation. If this equipment does cause harmful interference to radio or television reception, which can be determined by turning the equipment off and on, the user is encouraged to try to correct the interference by one or more of the following measures:

- Reorient or relocate the receiving antenna.
- Increase the separation between the equipment and receiver.
- Connect the equipment into an outlet on a circuit different from that to which the receiver is connected.
- Consult the dealer or an experienced radio/TV technician for help.

FCC Radiation Exposure Statement:
This equipment complies with FCC radiation exposure limits set forth for an uncontrolled environment. This equipment should be installed and operated with a minimum distance of 20cm between the radiator and your body.

ISED Compliance Statement:
This device complies with Innovation, Science and Economic Development Canada license-exempt RSS standard(s). Operation is subject to the following two conditions: (1) this device may not cause interference, and (2) this device must accept any interference, including interference that may cause undesired operation of the device.
Le présent appareil est conforme aux CNR d'Industrie Canada applicables aux appareils radio exempts de licence. L'exploitation est autorisée aux deux conditions suivantes: (1) l'appareil ne doit pas produire de brouillage, et (2) l'utilisateur de l'appareil doit accepter tout brouillage radioélectrique subi, même si le brouillage est susceptible d'en compromettre le fonctionnement.

Radio Frequency Exposure:
This device meets the Innovation, Science and Economic Development Canada requirements for exposure to radio waves and is designed and manufactured not to exceed the emission limits for exposure to radiofrequency (RF) energy. To comply with Canada RF exposure compliance requirements, this device must not be co-located or operating in conjunction with any other antenna or transmitter.